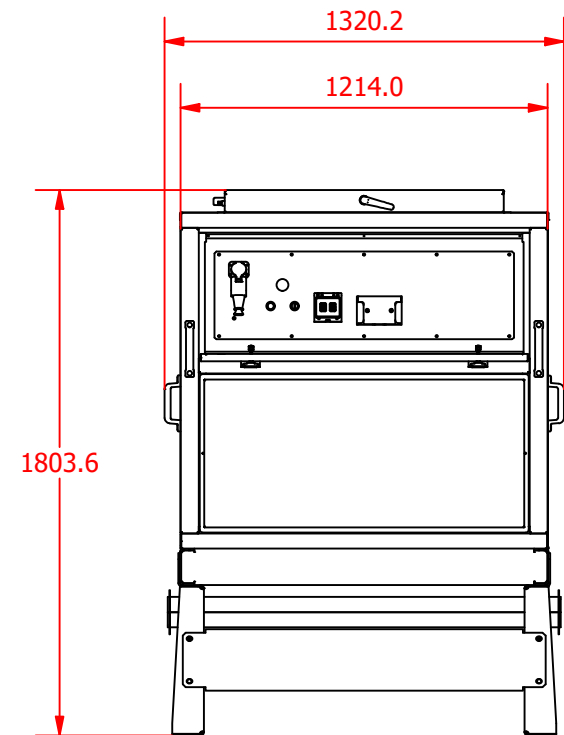
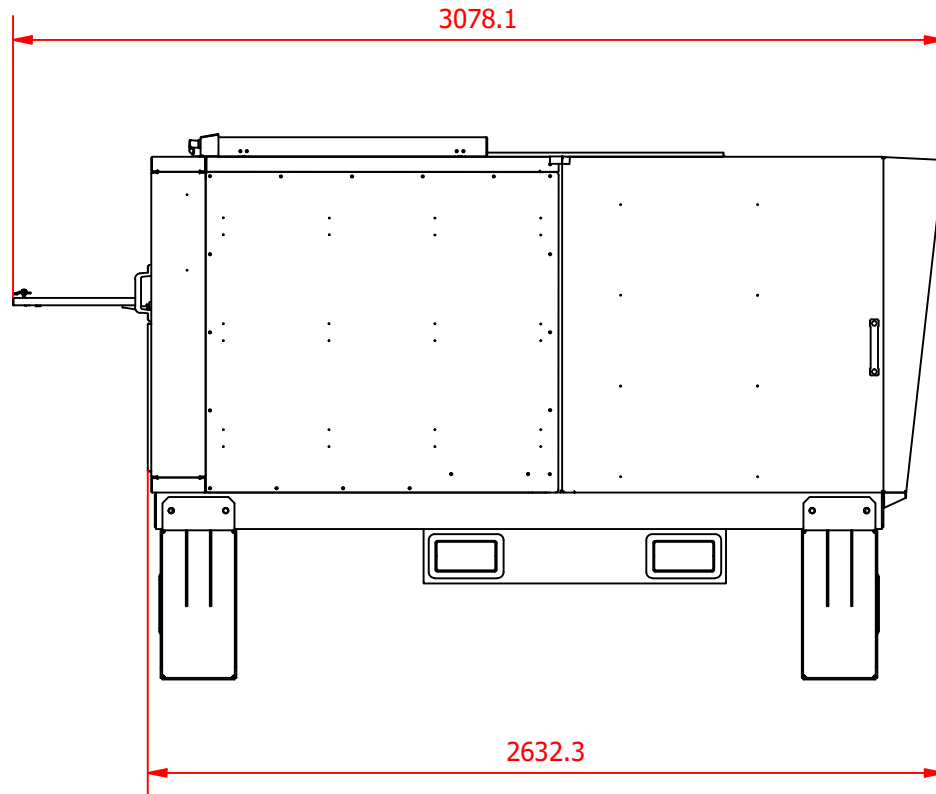
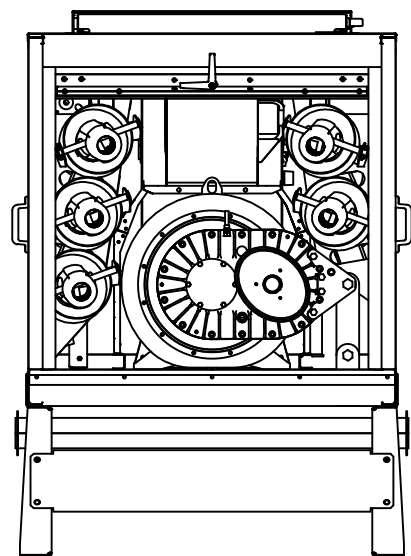


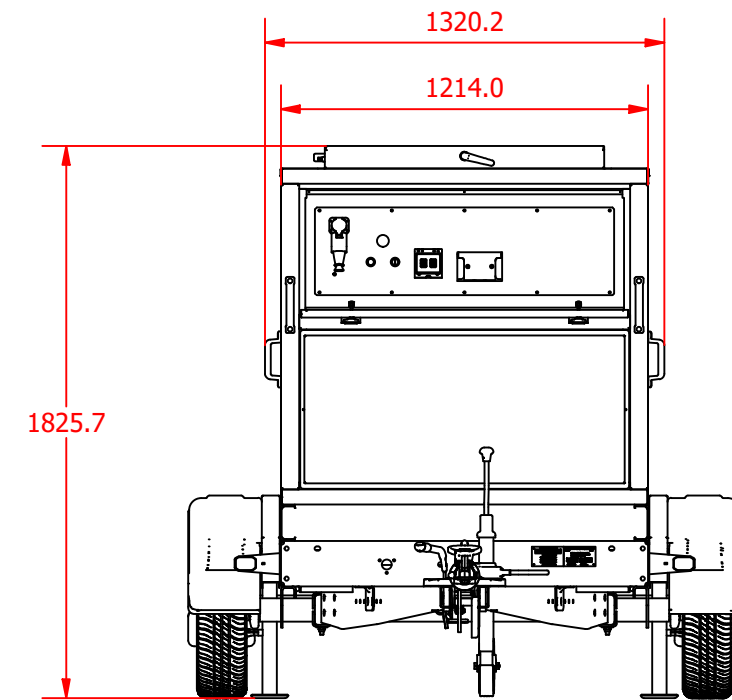
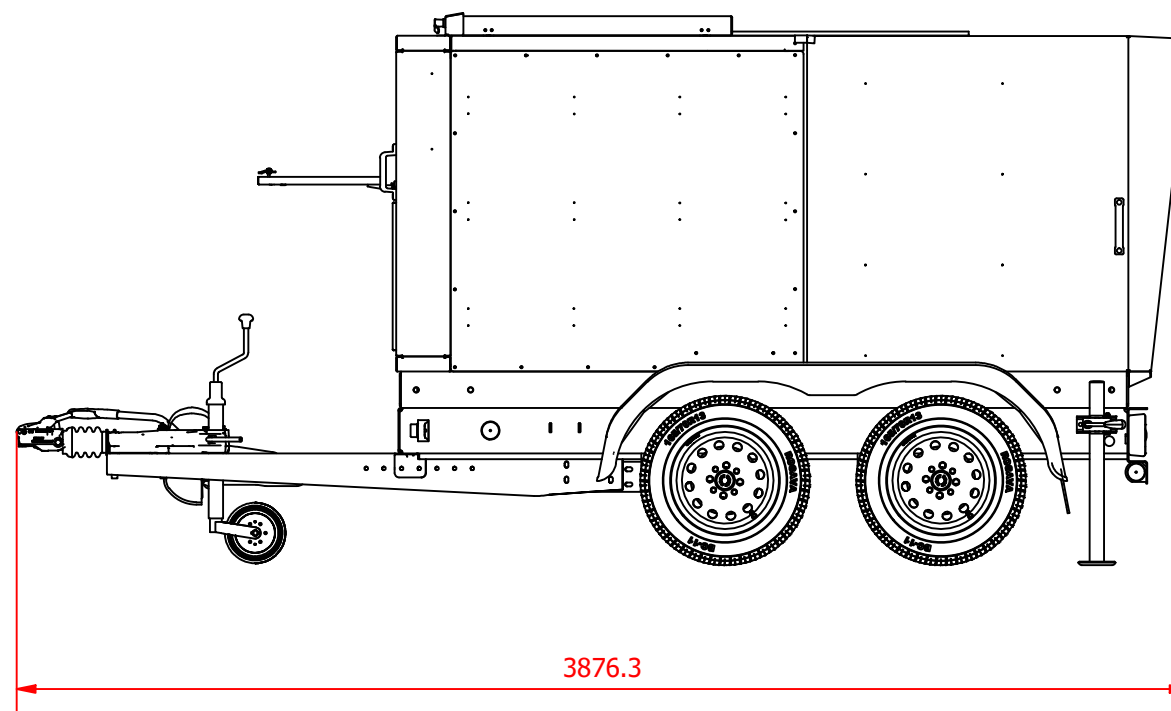
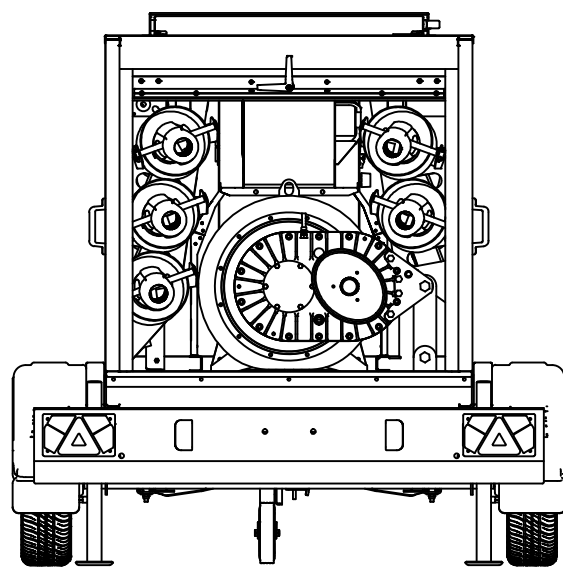
1 2 3 4 5 6 7 8

A



B

C



D

E



NJ Froment & Co Ltd
 Easton on the Hill
 STAMFORD - PE9 3NP - UK
 Tel: +44 (0) 1780 920100
 fromentdynamometers.com

© NJ Froment & Co. Ltd. This document may not be copied or disclosed in whole or part without prior written authority.

Drawn - Mick Green Date - 08/02/2024
 Approved - Date -
 Checked - Date -

A		22/05/2019	
REV	DESCRIPTION	DATE	REF

REVISION HISTORY

	CAD Code.
	Part Number. 04367A01 - Sigma 680 Dynamometer
Scale. NTS	Drg No.
Dims. mm	Sheet

1st Angle Projection

